

HI-FLO THE VERSATILE FILTER SYSTEM

Hi-Flo in-line filter units

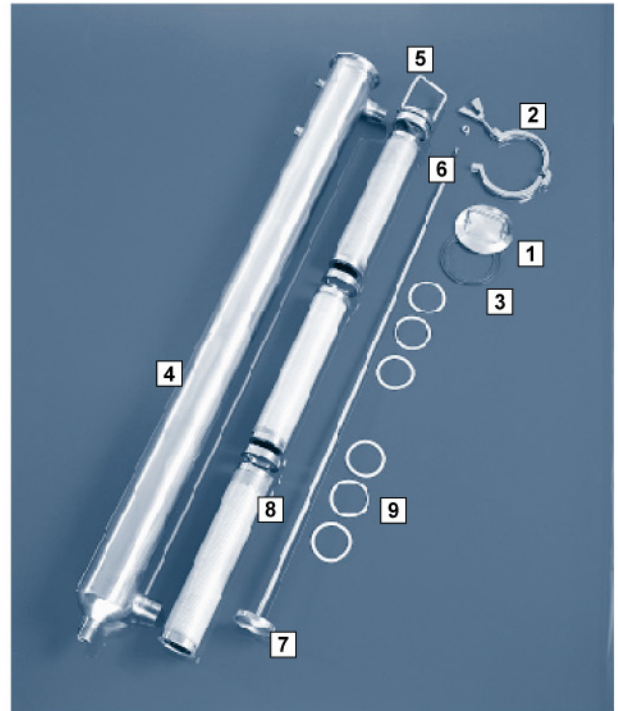
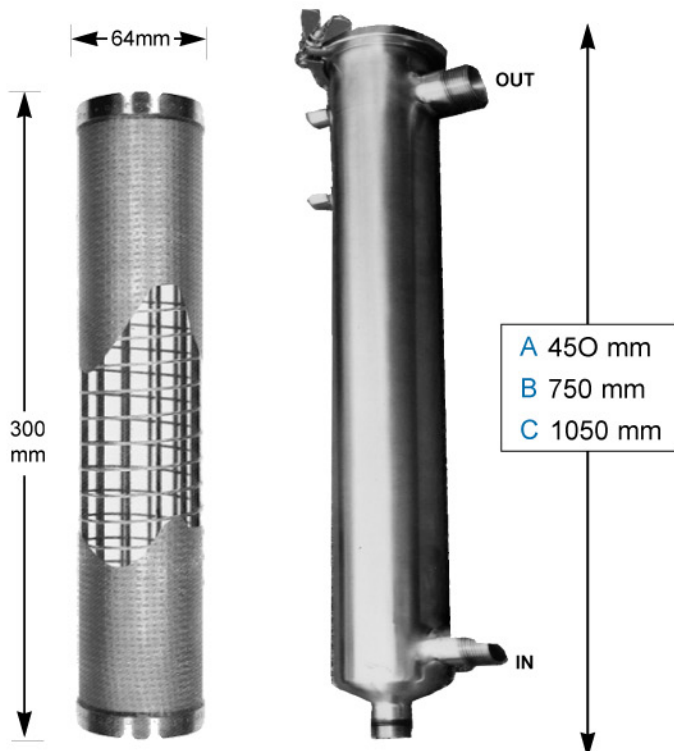
KEY FEATURES

- All 316 stainless steel construction
- Smooth hygienic internals for high flow rates
- Space-conscious design
- Horizontal or vertical mounting
- Option of 3 body lengths
- O-ring & gasket seals in choice of materials
- Easy-open cap - no tools required

Unique Multi-Media Concept

A single Hi-Flo body can accommodate any one of 6 different filter elements of standard design. This gives unprecedented flexibility & versatility to the user, where previously a media-change often involved a complete filter body change.

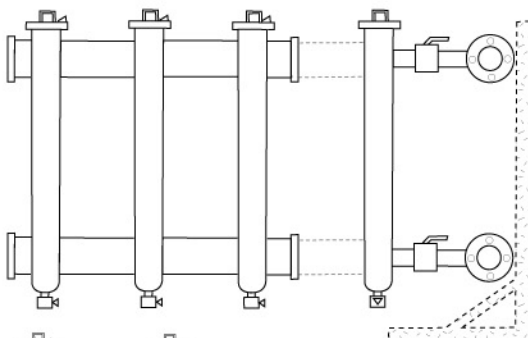
Hi-Flo filters are primarily designed to accommodate the unique Top-Mesh stainless-steel filtration element, with its innovative diffusion-bonded construction on a spiral support structure.



TOP-MESH STAINLESS STEEL MESH ON STAINLESS STEEL SPIRAL SUPPORT 5 - 500 MICRON 6 BAR DIFFERENTIAL PRESSURE

Manifold System

To cope with the highest flow-rates, units may be manifolded together in any number, with or without support frames.



A simple & effective filter to manifold for high flows. it can be made automatic for programmed flush cycles.

Changeover duplex design to maintain uninterrupted flow, even when cleaning one element

Item	Description	Options	Part No
1	cap & handle		701-000-SS
2	toggle clamp		702-000-SS
3	cap seal	Silicone Viton EPDM PTFE	703-003-C 703-004-D 703-005-E 703-006-F
4	filter body		700-000-A/B/C
5	basket handle	1 & 1.5" 2" filters	704-000-Std 704-001-Ext
6	basket handle O seal	Buna Viton EPDM PTFE (encap)	705-001-A 705-002-B 705-003-C 705-004-D
7	basket bottom & rod assembly		708-001-SS-A 708-002-SS-B 708-003-SS-C
8	element spacer		706-000-SS
9	spacer seal	Viton PTFE	707-001-A 707-002-B

Optional additions include:

▶ steam purge ▶ external backflush (water/solvent) ▶ liquid reclaim ▶ differential pressure sensing